



VPHT infrared panel heater

Stylish heating for modern living, there is no better solution than our VPHT panel heater for those areas demanding discreet heating without any light. The modern Italian design is perfect for environments characterized by elegance & innovation.

VPHT panel heaters emit longwave infrared, which creates warmth, without any light. Perfect for discreet, on-demand heating and ideal for offices, restaurants, bars, reception areas, or at home - anywhere where unintrusive heating is needed.



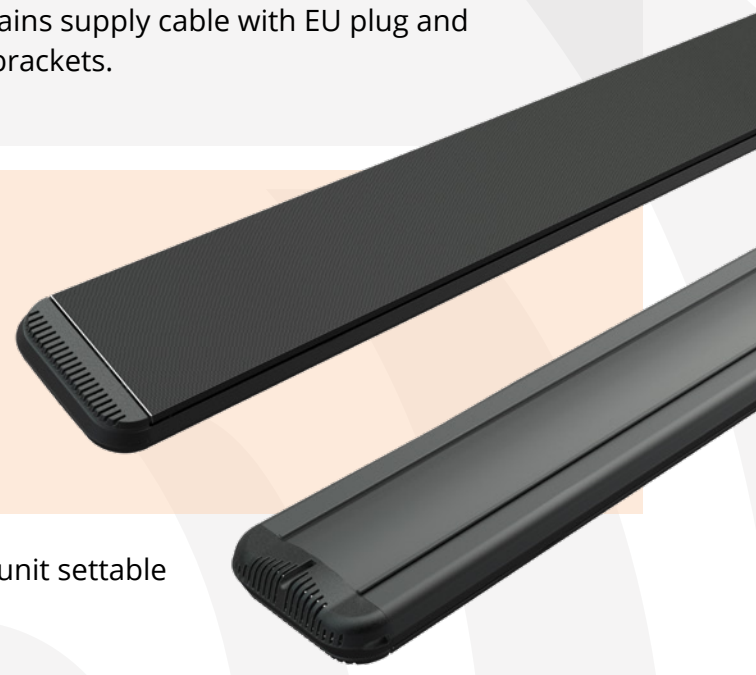
Discreet controllable heat

- Warmth without light
- Remote control
- Dimmable

VPHT heaters include a remote control on/off /3-stage dimmer (Low/Medium/Full). They are finished in an attractive, modern natural anodised finish and are fitted with a 1.8m long mains supply cable with EU plug and supplied with wall brackets.

Typical Applications

- | | |
|-------------------------|------------------------|
| ■ Restaurants | ■ Beauty Salons |
| ■ Bars | ■ Theatres |
| ■ Offices | ■ Photographic studios |
| ■ Waiting Rooms | ■ Boardrooms |
| ■ Hospitals & Surgeries | ■ Home |
| ■ Reception areas | |



Comes with Hand Held Remote Control unit settable with 3 power rates - with LED indicator

Supplied with wall brackets



VPH range

Code	Watts	Amps	Colour	Length	Width	Height	Weight
VPHT18D	1800	7.5	Ebony	1410mm	201mm	58mm	7.4kgs
VPHT18SD	1800	7.5	Silver	1410mm	201mm	58mm	7.4kgs
VPHT24D	2400	7.5	Ebony	1410mm	201mm	58mm	8.8kgs
VPHT24SD	2400	7.5	Silver	1410mm	201mm	58mm	8.8kgs

Supplied as standard with

- 1.8m mains supply cable & EU plug
- Wall/ceiling brackets.

Optional extra

- Double side-by-side bracket
- Double end-to-end-bracket
- Rear extension bracket

Voltage: 240V~50-60Hz

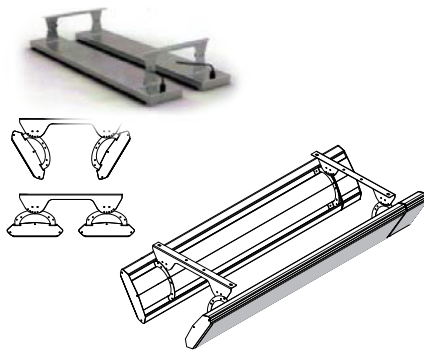
Dimmer Setting: 1/3 - 2/3 - Full Power

Insulation Class: I

IP55 Rating

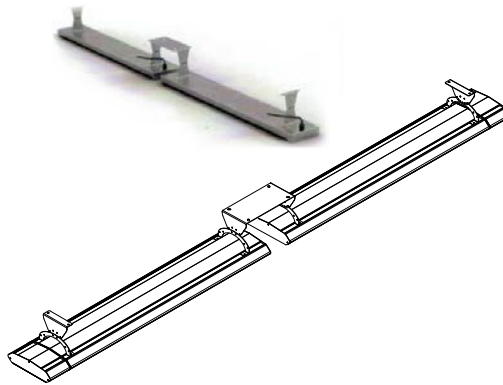
VPHT7704

Double side-by-side bracket



VPHT7705

End-to-end bracket



VPHT7706

Rear extension bracket

