

## GROUP 9 - Clamp type elements

9.8 - Monotube heating elements of two circuits with triangular profile

L-ETM

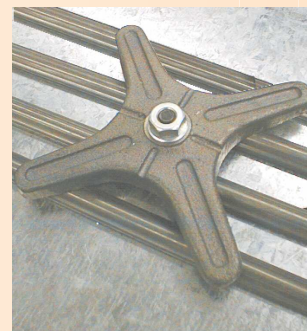
### MONOTUBE HEATING ELEMENT OF 2 CIRCUITS WITH TRIANGULAR PROFILE, MODELS L-ETM

#### General characteristics

- Stainless steel tube compressed to form the triangular profile.
- Heating wire in Nickel-Chrome alloy, with two circuits and one common terminal to make different powers according to connection.
- Insulated with electromelted compressed magnesium oxide.
- Standard voltage ~230 V.

These heating elements can be driven through a energy regulator or by means with a switch of several positions, with a maximum of five. With this last device and carrying out the feeding of the heating element according to the attached tables, the range of powers obtained will be as shown in the table.

Code	Heating power	0	1	2	3	4
511000001	500 W	0 W	125 W	250 W	250 W	500 W
511002001	1000 W	0 W	250 W	500 W	500 W	1000 W
511003001	1250 W	0 W	310 W	550 W	700 W	1250 W



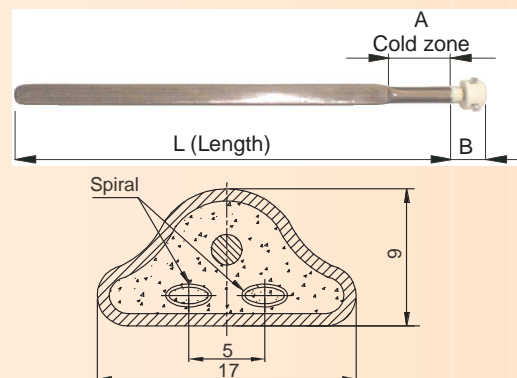
Example of installation with 4 L-ETM heating element with cross-bridle

Code	Reference	Dimensions in mm			Watts	Weight in Kg
		L	A	(*) B		
511000001	L-ETM-345	345	53	26	500	0,16
511002001	L-ETM-605	605	53	26	1000	0,28
511003001	L-ETM-705	705	53	26	1250	0,33

(\*) Terminal connector included

#### ACCESSORIES FOR MONOTUBE L-ETM

511009001	Set formed by bridle in cross, nut, washer and weldable flange
-----------	--



## GROUP 9 - Clamp type elements

9.9 - Triangular "Clamp" heating elements

L-ENC-FE

Models as per catalogue: NTC-0202



### TRIANGULAR "CLAMP" HEATING ELEMENTS, MODELS L-ENC-FE

#### Usual applications

- Heating of tanks by external contact.
- Mould heating.

- Lead and tin baths.
- Drying of solids.
- Hot tables.

#### General characteristics

- Tubular element in stainless steel tube AISI 321 or AISI 304L of Ø8'5 mm, embedded in a cast steel mould and subsequently pressed.
- Cast steel mould of 20 mm thick.
- Standard voltage ~230 V.

Although these are the maximum working temperatures, one must take into account consider that the seal of the heating element withstands a maximum end temperature of up to 250 °C

Maximum working temperature		
511006001	1200 W	350 °C
511008001	1800 W	200 °C

Code	Reference	Watts	Weight in Kg	thermic class
511006001	L-ENC-FE-1,2	1200	3,5	T-700-T
511008001	L-ENC-FE-1,8	1800	3,5	T-700-T

#### Typical compositions with flat "Clamp" heating elements

Set in circle of 3 flat "clamps"

Set in circle of 6 flat "clamps"

Set in circle of 9 external flat "clamps" or 8 external and 1 on the inside

